



# 3-Channel Constant-Current RGB LED Driver with Individual PWM Dimming



## FEATURES

- 3 independent current sinks up to 175mA rated 25V
- LED Current set by external low power control resistors
- Individual PWM control per channel
- Low dropout current source (0.4V at 175mA)
- Output Enable input for dimming
- “Zero” current shutdown mode
- 3V to 5.5V logic supply
- Thermal shutdown protection
- RoHS-compliant 16-lead SOIC package

## APPLICATIONS

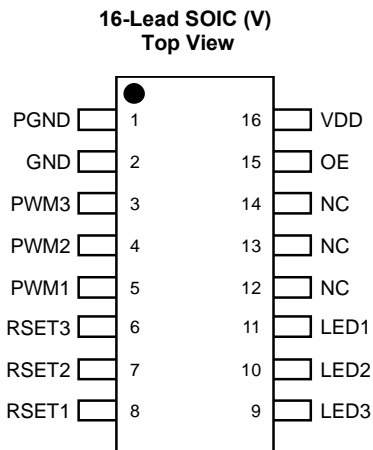
- Multi-color LED, Architectural Lighting
- LED signs and displays
- LCD backlight

## ORDERING INFORMATION

Part Number	Package	Quantity per Reel	Package Marking
CAT4109V-GT2	SOIC-16*	2,000	CAT4109V

\* Lead Finish NiPdAu

## PIN CONFIGURATION



## DESCRIPTION

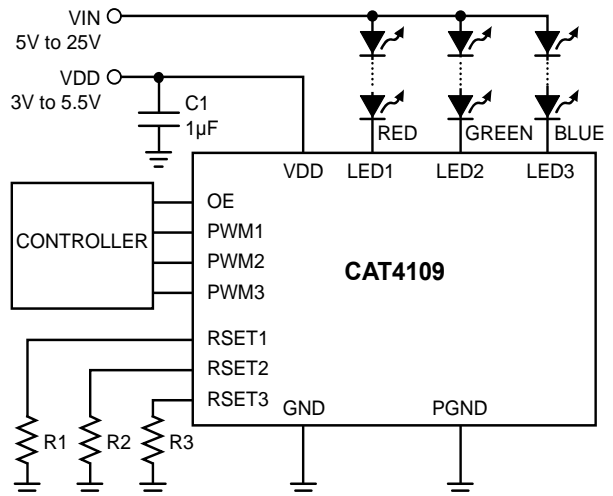
The CAT4109 is a 3-channel constant-current LED driver, requiring no inductor. LED channel currents up to 175mA are programmed independently via separate external resistors. Low output voltage operation of 0.4V at 175mA allows for more power efficient designs across wider supply voltage range. The three LED pins are compatible with high voltage up to 25V supporting applications with long strings of LEDs.

Three independent control inputs PWM1, PWM2, PWM3, control respectively LED1, LED2, LED3 channels. The device also includes an output enable (OE) control pin to disable all three channels independently of the PWMx input states.

Thermal shutdown protection is incorporated in the device to disable the LED outputs whenever the die temperature exceeds 150°C.

The device is available in a 16-lead SOIC package.

## TYPICAL APPLICATION CIRCUIT



## ABSOLUTE MAXIMUM RATINGS

Parameter	Rating	Units
VDD Voltage	6	V
Input Voltage Range (OE, PWM1, PWM2, PWM3)	-0.3V to 6V	V
LED1, LED2, LED3 Voltage	25	V
DC Output Current on LED1 to LED3	200	mA
Storage Temperature Range	-55 to +160	°C
Junction Temperature Range	-40 to +150	°C
Lead Soldering Temperature (10sec.)	300	°C
ESD Rating on All Pins:	<ul style="list-style-type: none"> <li>• Human Body Model 2000</li> <li>• Machine Model 200</li> </ul>	V

## RECOMMENDED OPERATING CONDITIONS

Parameter	Range	Units
VDD	3.0 to 5.5	V
Voltage applied to LED1 to LED3, outputs off	up to 25	V
Voltage applied to LED1 to LED3, outputs on	up to 6*	V
Output Current on LED1 to LED3	2 to 175	mA
Ambient Temperature Range	-40 to +85	°C

\* Keeping LEDx pin voltage below 6V in operation is recommended to minimize thermal dissipation in the package.

## ELECTRICAL OPERATING CHARACTERISTICS

### DC CHARACTERISTICS

Min and Max values are over recommended operating conditions unless specified otherwise.  
 Typical values are at VDD = 5.0V, T<sub>AMB</sub> = 25°C

Symbol	Name	Conditions	Min	Typ	Max	Units
I <sub>DD1</sub>	Supply Current Outputs Off	V <sub>LED</sub> = 5V, R <sub>SET</sub> = 24.9kΩ		2	5	mA
I <sub>DD2</sub>	Supply Current Outputs Off	V <sub>LED</sub> = 5V, R <sub>SET</sub> = 5.23kΩ		4	10	mA
I <sub>DD3</sub>	Supply Current Outputs On	V <sub>LED</sub> = 0.5V, R <sub>SET</sub> = 24.9kΩ		2	5	mA
I <sub>DD4</sub>	Supply Current Outputs On	V <sub>LED</sub> = 0.5V, R <sub>SET</sub> = 5.23kΩ		4	10	mA
I <sub>SHDN</sub>	Shutdown Current	V <sub>OE</sub> = 0V			1	μA
I <sub>LKG</sub>	LED Output Leakage	V <sub>LED</sub> = 5V, Outputs Off	-1		1	μA
R <sub>OE</sub>	OE pull-down resistance		140	190	250	kΩ
V <sub>OE_IH</sub> V <sub>OE_IL</sub>	OE logic high level OE logic low level		1.3		0.4	V
V <sub>PWM_IH</sub> V <sub>PWM_IL</sub>	PWMx logic high level PWMx logic low level		0.7x V <sub>DD</sub>		0.3x V <sub>DD</sub>	V
I <sub>IL</sub>	Logic Input Leakage Current (PWMx)	V <sub>PWMx</sub> = V <sub>DD</sub> or GND	-5	0	5	μA
V <sub>RSETx</sub>	RSETx Regulated Voltage		1.17	1.2	1.23	V
T <sub>SD</sub>	Thermal Shutdown			150		°C
T <sub>HYS</sub>	Thermal Hysteresis			20		°C
I <sub>LED</sub> /I <sub>RSET</sub>	RSET to LED Current Gain ratio	100mA LED Current		400		
V <sub>UVLO</sub>	Undervoltage Lockout (UVLO) Threshold			1.8		V

## RECOMMENDED TIMING

Min and Max values are over recommended operating conditions unless specified otherwise.  
Typical values are at  $V_{DD} = 5.0V$ ,  $T_{AMB} = 25^{\circ}C$

Symbol	Name	Conditions	Min	Typ	Max	Units
$T_{PS}$	Turn-On time, OE rising to $I_{LED}$ from Shutdown	$I_{LED} = 100mA$		1.4		$\mu s$
$T_{P1}$	Turn-On time, OE or PWMx rising to	$I_{LED} = 100mA$		600		ns
$T_{P2}$	Turn-Off time, OE or PWMx falling to	$I_{LED} = 100mA$		300		ns
$T_R$	LED rise time	$I_{LED} = 100mA$		300		ns
$T_F$	LED fall time	$I_{LED} = 100mA$		300		ns
$T_{LO}$	OE low time		1			$\mu s$
$T_{HI}$	OE high time		5			$\mu s$
$T_{PWRDWN}$	OE low time to shutdown delay			4	8	ms

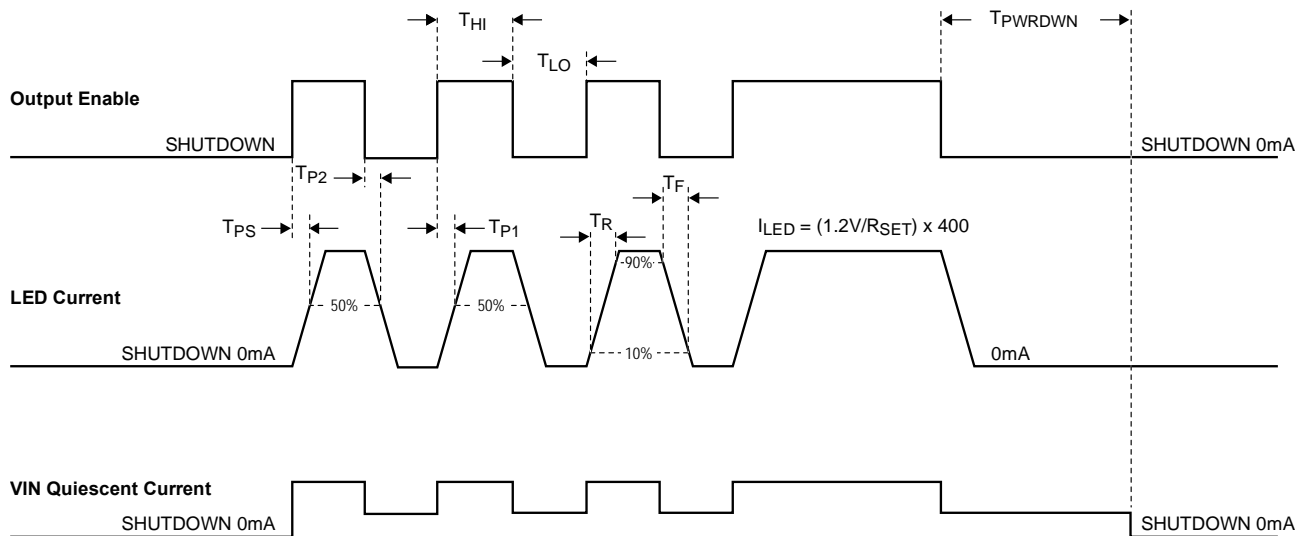


Figure 1. CAT4109 OE Timing

## OE OPERATION

The Output Enable (OE) pin has two primary functions. When the OE input goes from high to low, all three LED channels are turned off. If OE remains low for longer than  $T_{PWRDWN}$ , the device enters shutdown mode drawing “zero current” from the supply.

The OE input can be used to adjust the contrast of the RGB LED by applying an external PWM signal. The device has a very fast turn-on time (from OE rising to LED on) allowing “instant on” when dimming LEDs.

When applying PWM signals to the three PWMx inputs and using the OE pin for dimming, the OE PWM frequency should be much lower to preserve the color mixing.

Accurate linear dimming on OE is compatible with PWM frequencies from 100Hz to 5kHz for PWM duty cycle down to 1%. PWM frequencies up to 50kHz can be supported for duty cycles greater than 10%.

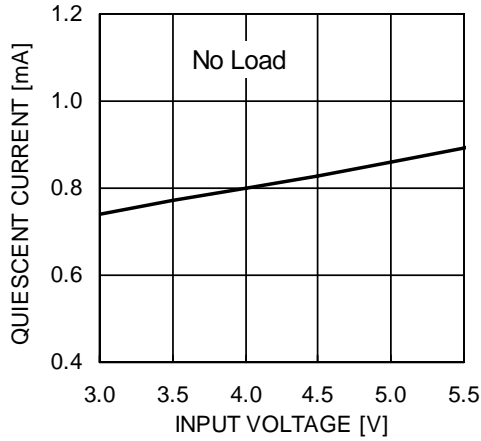
When performing a combination of low frequencies and small duty cycles, the device may enter shutdown mode. This has no effect on the dimming accuracy, because the turn-on time  $T_{PS}$  is very short, in the range of 1 $\mu s$ .

To ensure that PWM pulses are recognized, pulse width low time  $T_{LO}$  should be longer than 1 $\mu s$ . The driver enters a “zero current” shutdown mode after a 4ms delay (typical) when OE is held low.

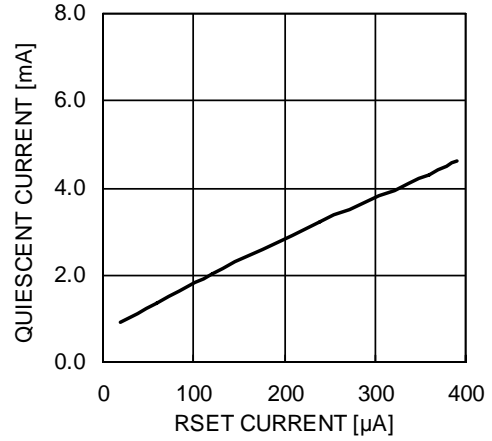
**TYPICAL PERFORMANCE CHARACTERISTICS**

$V_{IN} = 5V$ ,  $V_{DD} = 5V$ ,  $C1 = 1\mu F$ ,  $T_{AMB} = 25^{\circ}C$  unless otherwise specified.

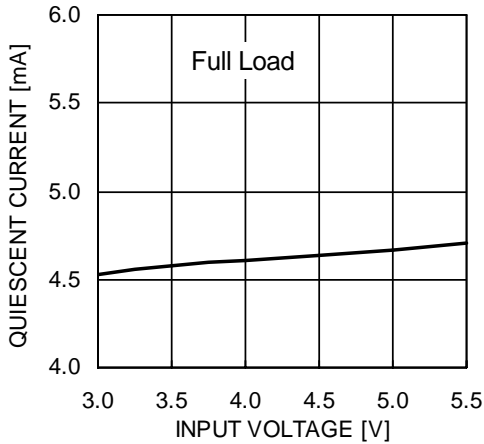
**Quiescent Current vs. Input Voltage ( $I_{LED} = 0mA$ )**



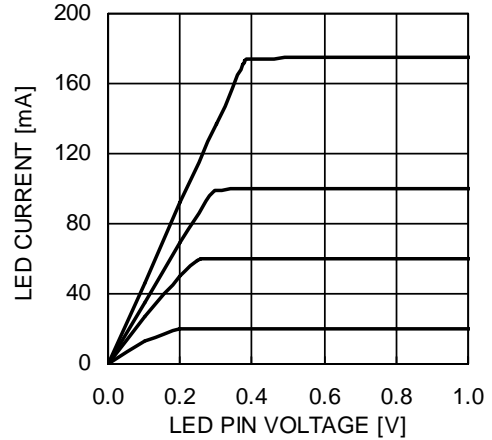
**Quiescent Current vs. RSET Current**



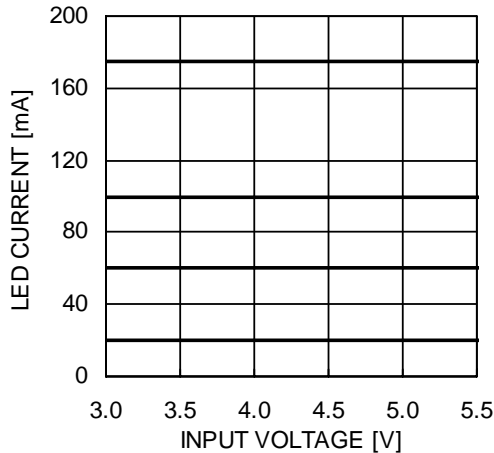
**Quiescent Current vs. Input Voltage ( $I_{LED} = 175mA$ )**



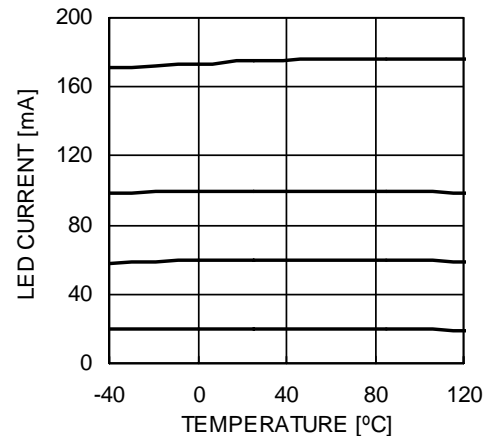
**LED Current vs. LED Pin Voltage**



**LED Current Change vs. Input Voltage**



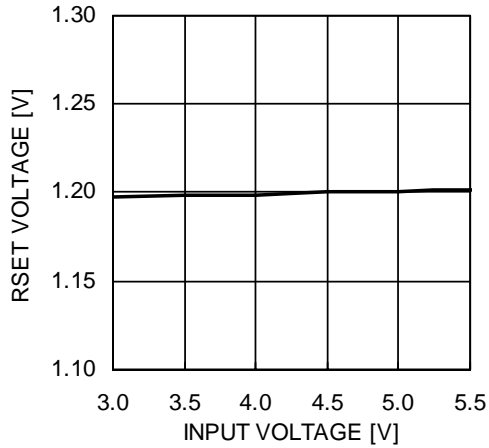
**LED Current Change vs. Temperature**



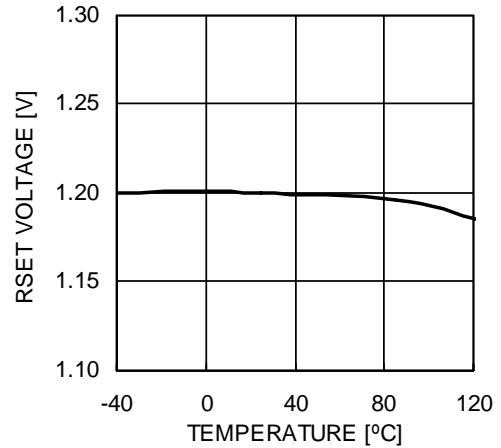
### TYPICAL PERFORMANCE CHARACTERISTICS

$V_{IN} = 5V$ ,  $V_{DD} = 5V$ ,  $C1 = 1\mu F$ ,  $T_{AMB} = 25^{\circ}C$  unless otherwise specified.

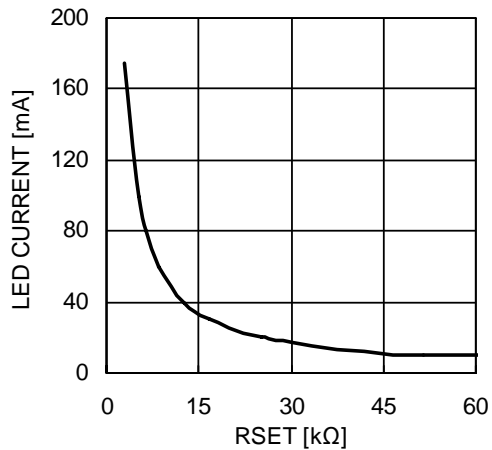
**RSET Pin Voltage vs. Input Voltage**



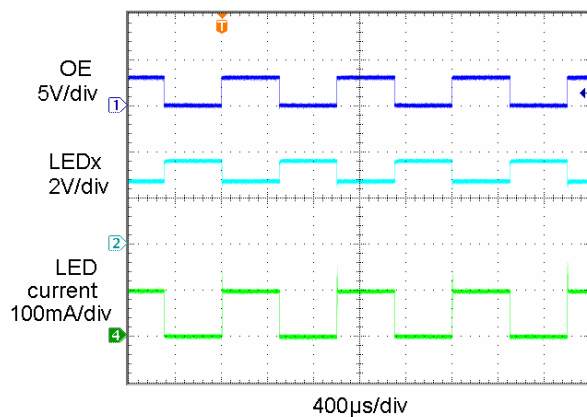
**RSET Pin Voltage vs. Temperature**



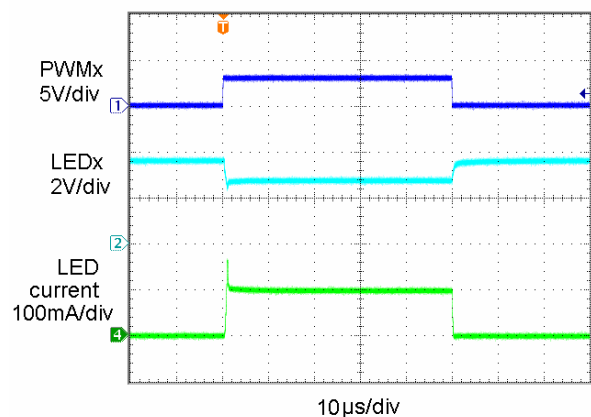
**LED Current vs. RSET Resistor**



**OE Transient Response at 1kHz**



**PWMx Transient Response**



## PIN DESCRIPTIONS

Name	Pin Number	Function
PGND	1	Power Ground.
GND	2	Ground Reference.
PWM3	3	PWM control input for LED3
PWM2	4	PWM control input for LED2
PWM1	5	PWM control input for LED1
RSET3	6	LED current set pin for LED3
RSET2	7	LED current set pin for LED2
RSET1	8	LED current set pin for LED1
LED3	9	LED channel 3 cathode terminal
LED2	10	LED channel 2 cathode terminal
LED1	11	LED channel 1 cathode terminal
NC	12	Not connected inside package
NC	13	Not connected inside package
NC	14	Not connected inside package
OE	15	Output Enable input pin
VDD	16	Device Supply pin

## PIN FUNCTION

**PGND** is the power ground reference pin for the device. This pin must be connected to the GND pin and to the ground plane on the PCB.

**GND** is the ground reference pin for the entire device. This pin must be connected to the ground plane on the PCB.

**PWM1 to PWM3** are the control inputs respectively for LED1, LED2 and LED3 channels. When PWMx are low, the associated LED channels are turned off. When PWMx are high, the corresponding channels are turned on, assuming the OE input is also high. PWMx pins can not be left open and must be set to either to logic high or low.

**RSET1 to RSET3** are the LED current set inputs. The current pulled out of these pins will be mirrored in the corresponding LED channel with a gain of 400.

**LED1 to LED3** are the LED current sink inputs. These pins are connected to the bottom cathodes of the LED strings. The current sinks bias the LEDs with a current equal to 400 times the corresponding RSETx pin current. For the LED sink to operate correctly the voltage on the LED pin must be above 0.4V. Each LED channel can withstand voltages up to 25V.

**OE** is the output enable input. When high, all LED channels are enabled according to the state of their corresponding PWMx control inputs. When low, all LED channels are turned off. This pin can be used to turn all the LEDs off independently of the state of the PWMx inputs. If the OE stays low for a duration longer than  $T_{PWRDWN}$ , the device enters shutdown mode.

**VDD** is the positive supply pin voltage for the entire device. A small 1 $\mu$ F bypass ceramic capacitor is recommended between VDD pin and ground near the device.

## BLOCK DIAGRAM

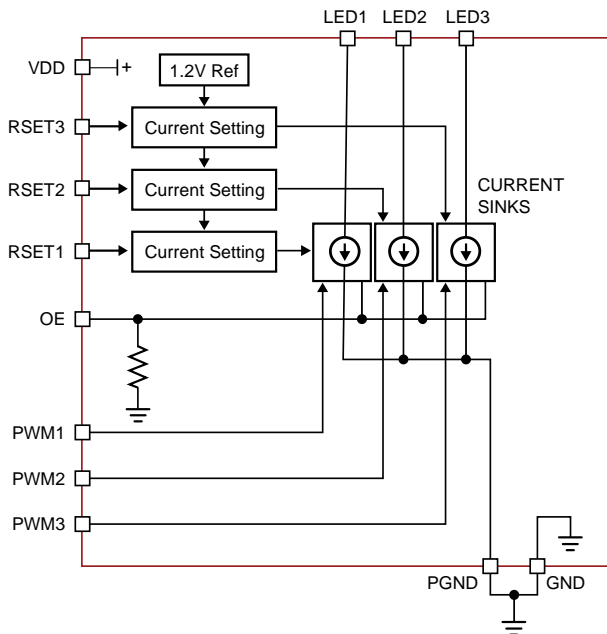


Figure 2. CAT4109 Functional Block Diagram

## BASIC OPERATION

The CAT4109 uses 3 independent current sinks to accurately regulate the current in each LED channel to 400 times the current sink from the corresponding RSET pin. Each of the resistors tied to the RSET1, RSET2, RSET3 pins set the current respectively in the LED1, LED2, and LED3 channels. Table 1 shows standard resistor values for RSET and the corresponding LED current.

Table 1. RSET Resistor Settings

LED Current [mA]	RSET[kΩ]
20	24.9
60	8.45
100	5.23
175	3.01

Tight current regulation for all channels is possible over a wide range of input and LED voltages due to independent current sensing circuitry on each channel. The LED channels have a low dropout of 0.4V or less for all current ranges and supply voltages. This helps improve heat dissipation and efficiency.

Upon power-up, an under-voltage lockout circuit sets all outputs to off. Once the VDD supply voltage is greater than the under-voltage lockout threshold, the device channel can be turned on. The on/off state of each channel LED1, LED2 and LED3 is independently controlled respectively by PWM1, PWM2, PWM3. When a PWMx is high, the associated LEDx channel is turned on.

**APPLICATION INFORMATION**

**POWER DISSIPATION**

The power dissipation ( $P_D$ ) of the CAT4109 can be calculated as follows:

$$P_D = (V_{DD} \times I_{DD}) + \sum(V_{LEDN} \times I_{LEDN})$$

where  $V_{LEDN}$  is the voltage at the LED pin, and  $I_{LEDN}$  is the associated LED current. Combinations of high  $V_{LED}$  voltage or high ambient temperature can cause the CAT4109 to enter thermal shutdown. In applications where  $V_{LEDN}$  is high, a resistor can be inserted in series with the LED string to lower  $P_D$ .

Thermal dissipation of the junction heat consists primarily of two paths in series. The first path is the junction to the case ( $\theta_{JC}$ ) thermal resistance which is defined by the package style, and the second path is the case to ambient ( $\theta_{CA}$ ) thermal resistance, which is dependent on board layout. The overall junction to ambient ( $\theta_{JA}$ ) thermal resistance is equal to:

$$\theta_{JA} = \theta_{JC} + \theta_{CA}$$

For a given package style and board layout, the operating junction temperature  $T_J$  is a function of the power dissipation  $P_D$ , and the ambient temperature, resulting in the following equation:

$$T_J = T_{AMB} + P_D (\theta_{JC} + \theta_{CA}) = T_{AMB} + P_D \theta_{JA}$$

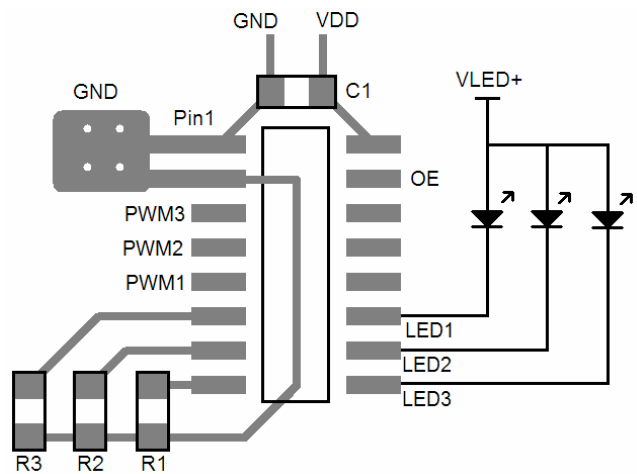
When mounted on a double-sided printed circuit board with two square inches of copper allocated for “heat spreading”, the resulting  $\theta_{JA}$  is about 74°C/W.

For example, at 60°C ambient temperature, the maximum power dissipation is calculated as follow:

$$P_{Dmax} = \frac{(T_{Jmax} - T_{AMB})}{\theta_{JA}} = \frac{(150 - 60)}{74} = 1.2W$$

**RECOMMENDED LAYOUT**

Bypass capacitor C1 should be placed as close to the IC as possible. RSET resistors should be directly connected to the GND pin of the device. For better thermal dissipation, multiple via can be used to connect the GND pad to a large ground plane. It is also recommended to use large pads and traces on the PCB wherever possible to spread out the heat. The LEDs for this layout are driven from a separate supply (VLED+), but they can also be driven from the same supply connected to VDD.

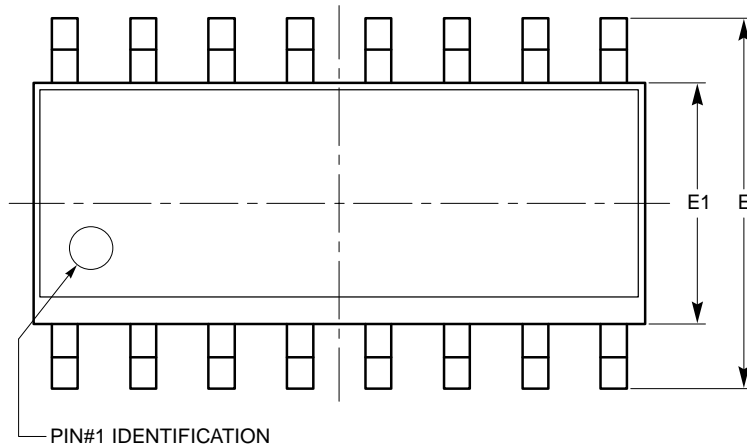


**Figure 3. Recommended Layout**



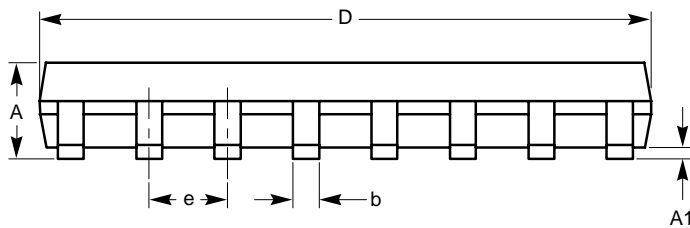
**PACKAGE OUTLINE DRAWING**

**SOIC 16-Lead 150mils (V) <sup>(1)(2)</sup>**

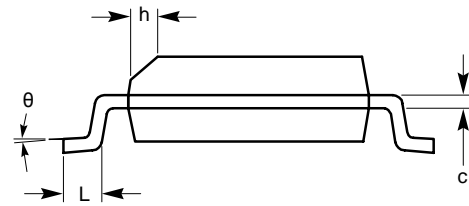


**TOP VIEW**

SYMBOL	MIN	NOM	MAX
A	1.35		1.75
A1	0.10		0.25
b	0.33		0.51
c	0.19		0.25
D	9.80	9.90	10.00
E	5.80	6.00	6.20
E1	3.80	3.90	4.00
e	1.27 BSC		
h	0.25		0.50
L	0.40		1.27
$\theta$	0°		8°



**SIDE VIEW**

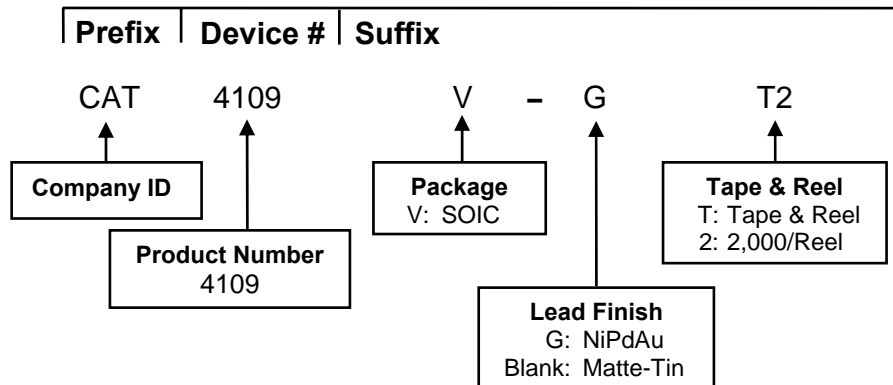


**END VIEW**

**Notes:**

- (1) All dimensions in millimeters. Angle in degrees.
- (2) Compiles with JEDEC standard-012.

**EXAMPLE OF ORDERING INFORMATION**




**Notes:**

- (1) All packages are RoHS-compliant (Lead-free, Halogen-free).
- (2) The standard plated finish is NiPdAu.
- (3) The device used in the above example is a CAT4109V-GT2 (SOIC, NiPdAu, Tape & Reel, 2,000/Reel).
- (4) For additional temperature options, please contact your nearest ON Semiconductor Sales office.

## REVISION HISTORY

Date	Revision	Description
7-Jan-09	A	Initial Issue
23-Jul-09	B	Update Electrical Operating Characteristics - DC Characteristics

**ON Semiconductor** and  are registered trademarks of Semiconductor Components Industries, LLC (SCILLC). SCILLC reserves the right to make changes without further notice to any products herein. SCILLC makes no warranty, representation or guarantee regarding the suitability of its products for any particular purpose, nor does SCILLC assume any liability arising out of the application or use of any product or circuit, and specifically disclaims any and all liability, including without limitation special, consequential or incidental damages. "Typical" parameters which may be provided in SCILLC data sheets and/or specifications can and do vary in different applications and actual performance may vary over time. All operating parameters, including "Typicals" must be validated for each customer application by customer's technical experts. SCILLC does not convey any license under its patent rights nor the rights of others. SCILLC products are not designed, intended, or authorized for use as components in systems intended for surgical implant into the body, or other applications intended to support or sustain life, or for any other application in which the failure of the SCILLC product could create a situation where personal injury or death may occur. Should Buyer purchase or use SCILLC products for any such unintended or unauthorized application, Buyer shall indemnify and hold SCILLC and its officers, employees, subsidiaries, affiliates, and distributors harmless against all claims, costs, damages, and expenses, and reasonable attorney fees arising out of, directly or indirectly, any claim of personal injury or death associated with such unintended or unauthorized use, even if such claim alleges that SCILLC was negligent regarding the design or manufacture of the part. SCILLC is an Equal Opportunity/Affirmative Action Employer. This literature is subject to all applicable copyright laws and is not for resale in any manner.

### PUBLICATION ORDERING INFORMATION

#### LITERATURE FULFILLMENT:

**Literature Distribution Center for ON Semiconductor**  
P.O. Box 5163, Denver, Colorado 80217 USA  
**Phone:** 303-675-2175 or 800-344-3860 Toll Free USA/Canada  
**Fax:** 303-675-2176 or 800-344-3867 Toll Free USA/Canada  
**Email:** orderlit@onsemi.com

**N. American Technical Support:** 800-282-9855 Toll Free  
USA/Canada

**Europe, Middle East and Africa Technical Support:**  
Phone: 421 33 790 2910

**Japan Customer Focus Center:**  
Phone: 81-3-5773-3850

**ON Semiconductor Website:** [www.onsemi.com](http://www.onsemi.com)

**Order Literature:** <http://www.onsemi.com/orderlit>

For additional information, please contact your local Sales Representative